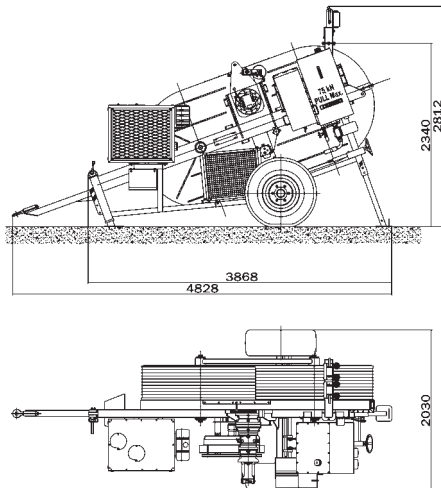


The machine is suitable to string one or two ropes or bundled conductors. The bull-wheel grooves are made up of high resistance interchangeable nylon sectors



Certified Quality System
ISO 9001:2000



M = 3100 kg

TENSIONER PERFORMANCE

Max tension	75 kN
Max speed	5 km/h

PULL-BACK PERFORMANCE

Max pull	75 kN
Max speed	0,7 km/h

Note: the basic machine performance is calculated at 20°C and at sea level

CHARACTERISTICS

Bull-wheel diameter	1500 mm
Max conductor diameter	34 mm

ENGINE

Diesel	25 kW
Cooling system	water
Electrical system	12 V

HYDRAULIC TRANSMISSION

Hydraulic open circuit that provides very sensitive tensioning control and negligible deviations of tension in case of speed change

CONFIGURATION

Negative self-acting hydraulic brake
Hydraulic dynamometer
Hydraulic oil cooling system
Mechanical meter counter

Rigid axle for towing at max speed of 30 km/h with mechanical parking brake

Gearbox with 3 operating positions:
- neutral position (with free bull-wheels for conductor loading and unloading)
- low tension position (5 ÷ 20 kN)
- nominal tension position

Mechanical actuated front plough stabiliser

Hydraulic power pack to control up to 2 separate drum stands with hydraulic motor, not independent control

OPTIONAL

080 Nylon sectors bull-wheel lining set for using with only 1 conductor, max Ø 40 mm