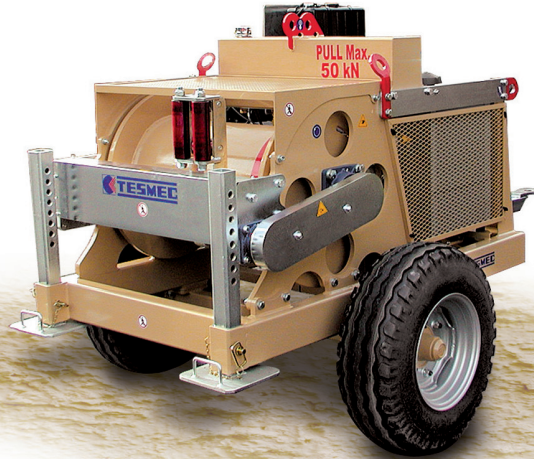
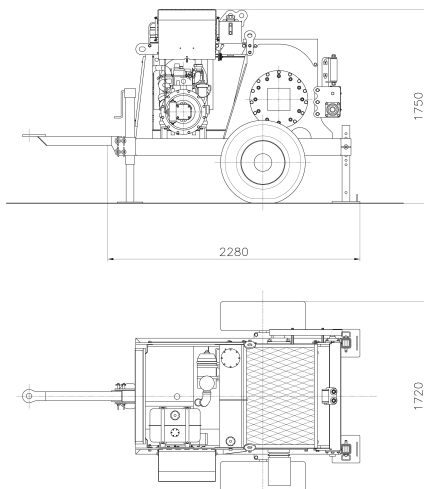


Single drum winch specifically designed for stringing of overhead lines and for lifting operations



Certified Quality System
ISO 9001:2000



M = 1600 kg

PERFORMANCE

Max pull	50 kN
Speed at max pull	1.3 km/h
Max speed	6 km/h
Pull at max speed	10.5 kN

Note: the basic machine performance is calculated at 20°C and at sea level

DRUM CHARACTERISTICS

External diameter	700 mm
Internal diameter	457 mm
Width	700 mm
Capacity 400 m	rope Ø 18 mm

ENGINE

Diesel	34 kW
Cooling system	water
Electrical system	12 V

HYDRAULIC TRANSMISSION

Closed hydraulic circuit for stepless speed variation in both rotating directions

CONFIGURATION

- Negative self-acting hydraulic brake
- Hydraulic dynamometer with set-point and automatic control of maximum pull
- Hydraulic oil cooling system
- Automatic level wind suitable for correct rope winding on the drum
- Rigid axle for towing at max speed of 30 km/h
- Towing bar with height regulation system
- Mechanical actuated front plough stabiliser